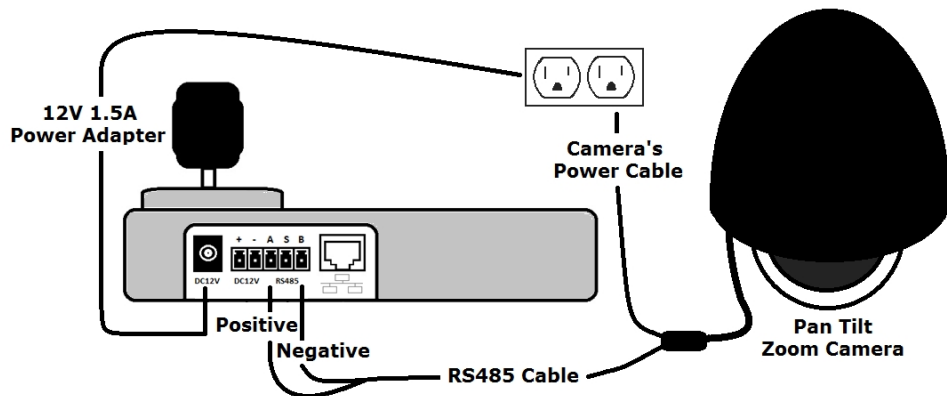


Please follow these steps in the order that they are given:

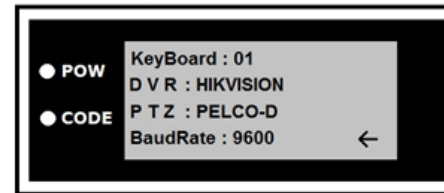
1. Connect the positive and negative RS485 cables from the camera to the RS485 port on the back of the ACC-KB003BG Keyboard Controller. The (A) port on the controller is the positive port, and the (B) port on the controller is the negative port



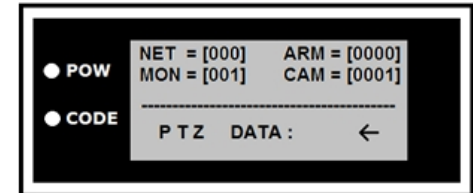
2. Power on the PTZ camera that you have connected to the PTZ controller.

3. Power on the ACC-KB003BG Keyboard Controller by inserting the included 12V 1.5A Power Adapter into the DC12V Power Input on the back of the ACC-KB003BG.
4. When the ACC-KB003BG powers on, you will see the Main Menu.
5. Use the joystick controller to adjust the Baud Bate and Protocol on the Main Menu so that it matches the Baud Rate and Protocol of the camera that is attached to the controller. (When controlling multiple cameras with the PTZ controller, it is recommended to set all cameras to the same Baud Rate and Protocol.)
6. Next, press the "ON" button to enter the Data Menu.
7. From the Data Menu, enter the 3-digit address of the camera that is connected to the PTZ controller and press "CAM." The CAM field will now display the 3-digit address that you just entered.
8. While the CAM field in the Data Menu displays the address of the camera that you wish to control, you may use the joystick controller to operate the Pan, Tilt, and Zoom functionality of your camera.

Main Menu



Data Menu



9. Press 'PROG' to exit the Data Menu and return to the Main Menu.
10. Please refer to the included manual for a full description of all features!

WARNING: Connecting the RS485 cable from a camera to the +/- DC12V port on the back of the ACC-KB003BG will result in permanent electrical damage to the camera. Such damage is not covered under warranty; please only connect RS485 cables to the proper RS485 ports.



DISCLAIMERDISCLAIMER***DISCLAIMER***

Some material in this guide is generic material and may not reflect directly to all Zmodo products. The information in this quick-guide may not directly reflect the functionality of your actual purchased products due to periodic software and/or hardware updates. Zmodo reserves the right to update product hardware, software, and functionality without notice.

US Office: 17870 Castleton Street, Suite 200, City of Industry, CA 91748
Technical Support and Customer Support: **866-551-6881**
Telephone Service Hours: **Mon-Fri 8:00am-8:00pm CST**

*Merchandise returns are received at a separate facility location. Please refer to your specific return instructions if you are returning an item for repair or refund.

China Office: 17F, Finance Technology Building, 11 Keyuan Road, Hi-Tech Park, Nanshan District, Shenzhen, P.R.China 518057
Telephone: **86-755-33926029**

Customer Service: support@zmodo.com

Quick Installation Guide

For Zmodo ACC-KB003BG Keyboard Controller

www.zmodo.com