

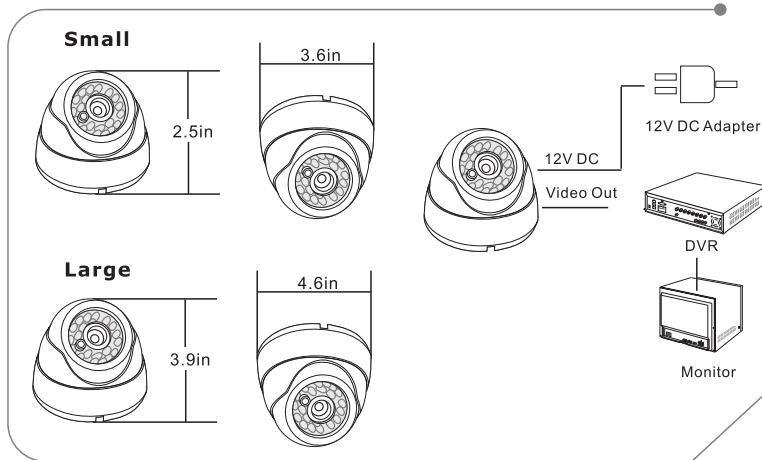


Camera

ZMD-CSR-DAS13NM

SKU: ZMD-CSR-DAS13NM / ZMD-CDR-DBS13NM / ZMD-CDH-DBS13NM / ZMD-CDR-DCM29NM / ZMD-CDH-DCM29NM

Compact dome camera for indoor and outdoor use, with infrared night vision to capture images under any lighting conditions. Different focal lengths available to tailor the camera for any occasion. Weatherproof and vandal-proof. Optimal combination of performance and cost.



Features And Technical Specifications >>>

Spec		Sensor				TV Line				Lens				Signal		IR			Audio															
		B3003	Ov7959	Pc1089	SONY CCD	420TVL	420TVL	480TVL	650TVL	2.8mm	3.6mm	6mm	12mm	25mm	4-9mm	4-48mm	NTSC	PAL	10~15cm	20~25cm	30~35cm	40~45cm	60~65cm	Yes	No									
ZMD-CSR-DAS13NM	Plastic		•				•			•						•		•						•										
ZMD-CDR-DBS13NM	Metallic Small			•		•				•						•		•						•										
ZMD-CDH-DBS13NM				•				•			•					•		•						•										
ZMD-CDR-DCM29NM	Metallic Large			•		•										•		•						•										
ZMD-CDH-DCM29NM				•				•								•		•						•										
Power Consumption										▶ Max. 3.5W															S / N Ratio					▶ ≥ 48dB				
Operating Temperature										▶ -10 °C to 50 °C															Input Voltage					▶ 12V DC ± 10%				

ZMD-CDR-DDM23NM

SKU: ZMD-CDR-DDM23NM / ZMD-CDH-DDM26NM / ZMD-CDH-DDM29NM

Unique indoor design with industrial grade waterproof and vandal-proof ratings. Easy to install and configure. Infrared night vision provides a clear picture in low light situations. High quality components ensure that this product will withstand long term operation.



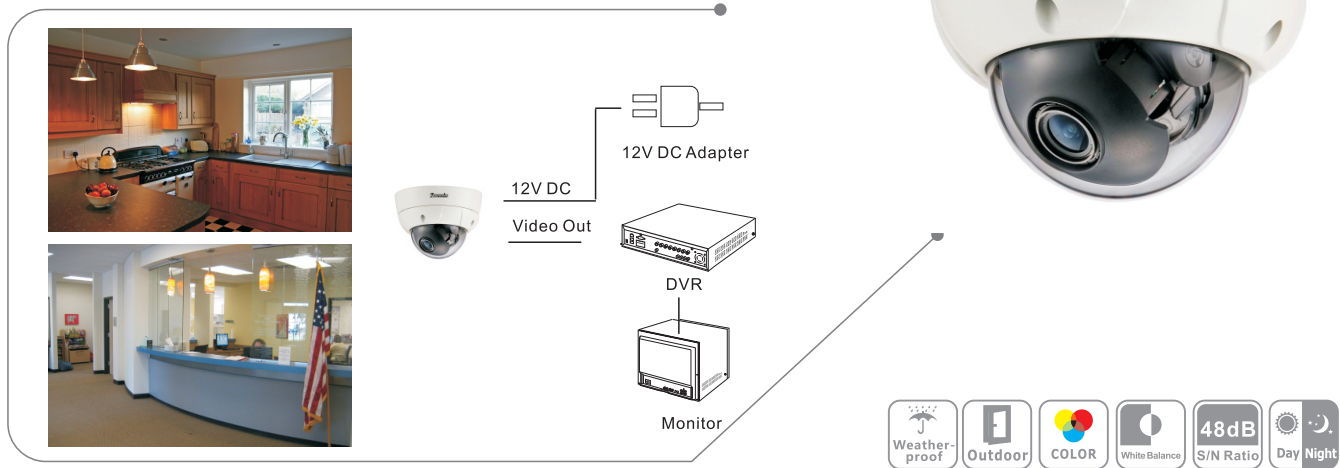
Features And Technical Specifications >>>

Model	Sensor				TV Line				Lens				Signal		IR					Audio					
	Bf3003	Ov7959	Pc1089	SONY CCD	420TVL	420TVL	480TVL	650TVL	2.8mm	3.6mm	6mm	12mm	25mm	4-9mm	4-48mm	NTSC	PAL	10~15cm	20~25cm	30~35cm	40~45cm	60~65cm	Yes	No	
ZMD-CDR-DDM23NM				•		•				•					•				•					•	
ZMD-CDH-DDM26NM				•			•				•				•				•					•	
ZMD-CDH-DDM29NM				•			•						•		•				•					•	
Power Consumption										Max. 3.5W															
Operating Temperature										-10 °C to 50 °C															
										S / N Ratio														≥ 48dB	
										Input Voltage														12V DC ± 10%	

ZMD-CDR-DEL33NM

SKU:ZMD-CDR-DEL33NM / ZMD-CDH-DEL36NM / ZMD-CDH-DEL39NM

Industrial grade weatherproof and vandal-proof. Easy to install and configure. Infrared night vision for optimal viewing under low light conditions. High quality components ensure stable performance under any circumstances.



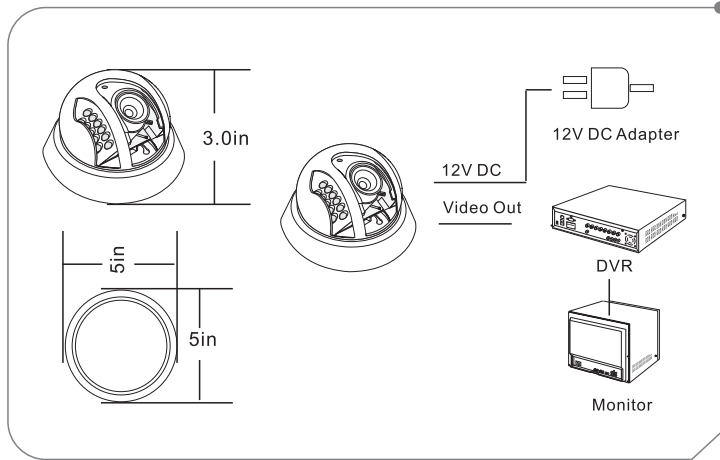
Features And Technical Specifications >>>

Model	Sensor				TV Line				Lens				Signal		IR					Audio											
	Bf3003	Ov7959	Pc1089	SONY CCD	420TVL	420TVL	480TVL	650TVL	2.8mm	3.6mm	6mm	12mm	25mm	4-9mm	4-48mm	NTSC	PAL	10~15cm	20~25cm	30~35cm	40~45cm	60~65cm	Yes	No							
ZMD-CDR-DEL33NM				•		•				•					•					•				•							
ZMD-CDH-DEL36NM				•			•				•				•					•				•							
ZMD-CDH-DEL39NM				•			•						•		•					•				•							
Power Consumption										▶ Max. 3.5W														S / N Ratio				▶ ≥ 48dB			
Operating Temperature										▶ -10 °C to 50 °C														Input Voltage				▶ 12V DC ± 10%			

ZMD-CDR-DFM23NM

SKU: ZMD-CDR-DFM23NM / ZMD-CDH-DFM26NM / ZMD-CDH-DFM29NM

Dome style camera for indoor use, which can be mounted in various indoor situations. Lens focal length options provide the best view for your application. IR function and high quality components ensure stable picture quality under any lighting condition.



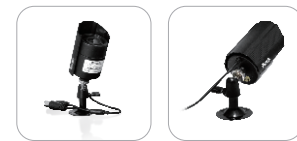
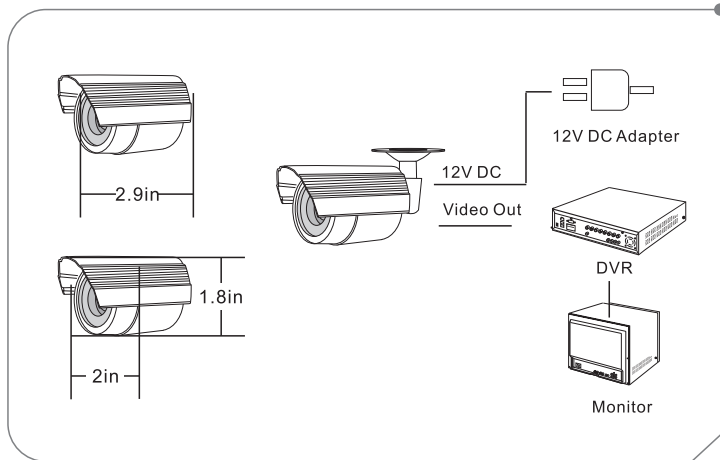
Features And Technical Specifications >>>

Spec / Model	Sensor				TV Line				Lens				Signal		IR					Audio					
	Bf3003	Ov7959	Pc1089	SONY CCD	420TVL	420TVL	480TVL	650TVL	2.8mm	3.6mm	6mm	12mm	25mm	4-9mm	4-48mm	NTSC	PAL	10~15cm	20~25cm	30~35cm	40~45cm	60~65cm	Yes	No	
ZMD-CDR-DFM23NM				•		•				•					•				•					•	
ZMD-CDH-DFM26NM				•			•			•					•				•					•	
ZMD-CDH-DFM29NM				•			•						•		•				•					•	
Power Consumption										Max. 3.5W															
Operating Temperature										-10 °C to 50 °C															
										S / N Ratio														≥ 48dB	
										Input Voltage														12V DC ± 10%	

ZMD-CSR-BAS13NM

SKU:ZMD-CSR-BAS13NM / ZMD-CSR-BAS16NM

This camera features a unique product design to achieve optimal combination of ultra-high performance and low cost. The CMOS image sensor displays a high number of TV lines while providing excellent color replication. In conjunction with the IR infrared night vision function, the camera will be able to operate in any environment. IP66 rating means that this waterproof and vandal-proof camera can be used both indoors and outdoors.



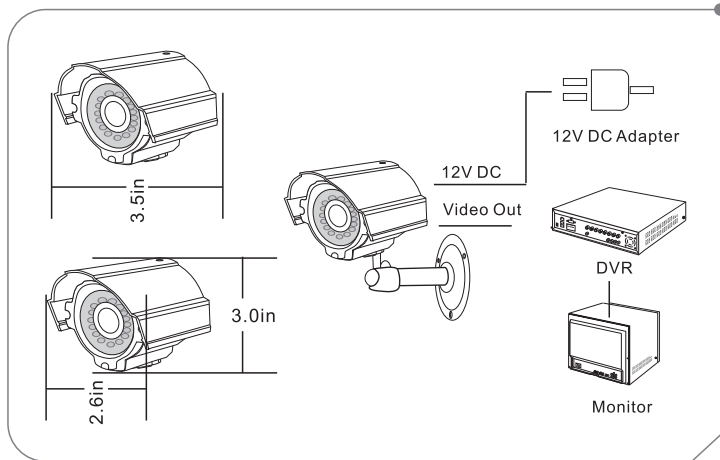
Features And Technical Specifications >>>

Model	Sensor					TV Line				Lens				Signal		IR					Audio				
	Bf3003	Ov7959	Pc1089	Other CCD	SONY CCD	420TVL	420TVL	480TVL	650TVL	2.8mm	3.6mm	6mm	12mm	25mm	4-9mm	4-48mm	NTSC	PAL	10~15cm	20~25cm	30~35cm	40~45cm	60~65cm	Yes	No
ZMD-CSR-BAS13NM		•						•			•						•		•						•
ZMD-CSR-BAS16NM		•						•			•						•		•						•
Power Consumption										S / N Ratio															
▶ Max. 3.5W										▶ ≥ 48dB															
Operating Temperature										Input Voltage															
▶ -10 °C to 50 °C										▶ 12V DC ± 10%															

ZMD-CSR-BBS16NM

SKU:ZMD-CSR-BBS16NM / ZMD-CDO-BBS16NM

Compact spherical design and a selection of high definition CCD image sensor options provide excellent picture quality. IR infrared night vision provides a clear picture in no-light situations. IP66 rating means that this waterproof and vandal-proof camera can be used both indoors and outdoors with no issue.



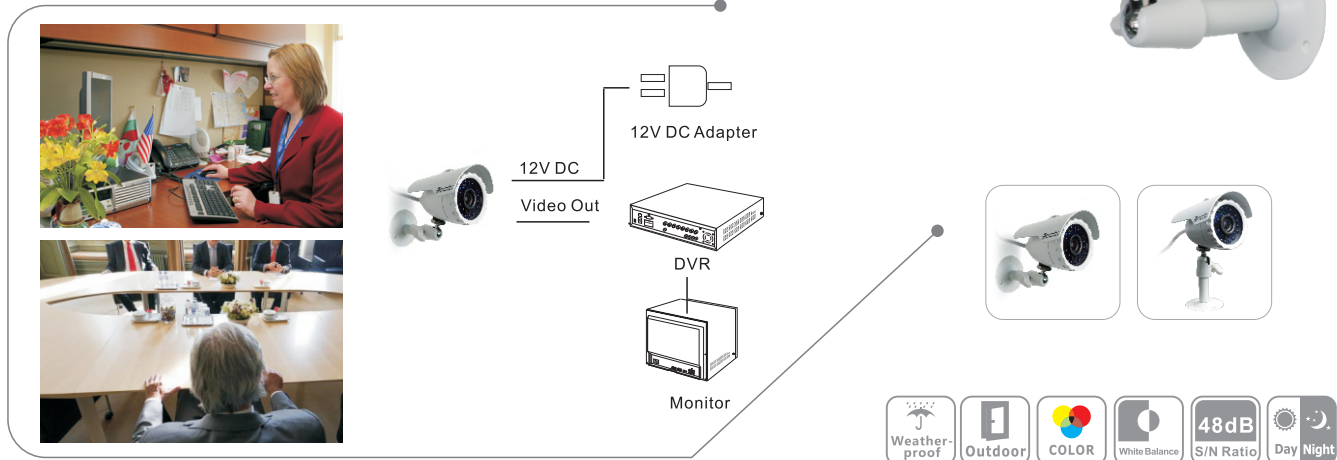
Features And Technical Specifications >>>

Model	Sensor					TV Line				Lens				Signal		IR					Audio				
	Bf3003	Ov7959	Pc1089	Other CCD	SONY CCD	1/4 420TVL	1/3 420TVL	480TVL	650TVL	2.8mm	3.6mm	6mm	12mm	25mm	4-9mm	4-48mm	NTSC	PAL	10~15cm	20~25cm	30~35cm	40~45cm	60~65cm	Yes	No
ZMD-CSR-BBS16NM		•						•				•				•		•							•
ZMD-CDO-BBS16NM				•		•					•					•		•							•
Power Consumption										Max. 3.5W															
S / N Ratio										≥ 48dB															
Operating Temperature										-10 °C to 50 °C															
Input Voltage										12V DC ± 10%															

ZMD-CDO-BCS16NM

SKU:ZMD-CDO-BCS16NM / ZMD-CDH-BCS16NM

Compact spherical design and a selection of high definition CCD image sensor options provide excellent picture quality. IR infrared night vision provides a clear picture in no-light situations. IP66 rating means that this waterproof and vandal-proof camera can be used both indoors and outdoors with no issue.



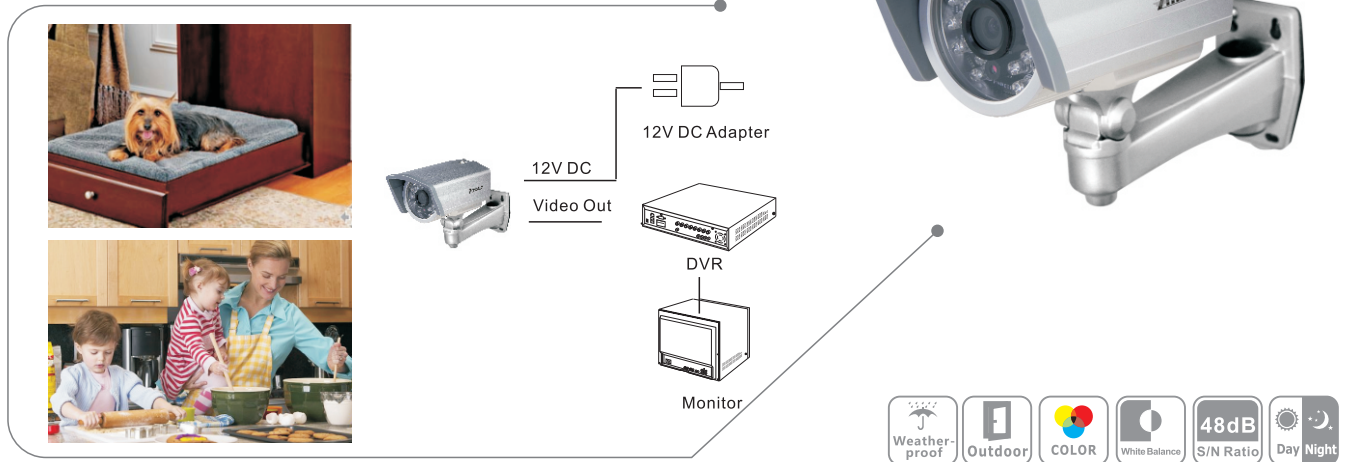
Features And Technical Specifications >>>

Model	Sensor		TV Line				Lens				Signal		IR			Audio									
	Bf3003	Ov7959	Pc1089	Other CCD	SONY CCD	1/4" 420TVL	1/3" 420TVL	480TVL	650TVL	2.8mm	3.6mm	6mm	12mm	25mm	4-9mm	4-48mm	NTSC	PAL	10~15cm	20~25cm	30~35cm	40~45cm	60~65cm	Yes	No
ZMD-CDO-BCS16NM				•		•					•						•		•						•
ZMD-CDH-BCS16NM					•			•			•						•		•						•
Power Consumption										▶ Max. 3.5W															
Operating Temperature										▶ -10 °C to 50 °C															
										S / N Ratio ▶ ≥ 48dB															
										Input Voltage ▶ 12V DC ± 10%															

ZMD-CDO-BDM26NM

SKU:ZMD-CDO-BDM26NM / ZMD-CDH-BDM26NM

Original product design optimizes structural and application functions to achieve excellent reliability and product quality. IR night vision capability ensures that clear and stable pictures are attainable under any light level. IP66 rating means that this waterproof and vandal-proof camera can be used both indoors and outdoors with no issue.



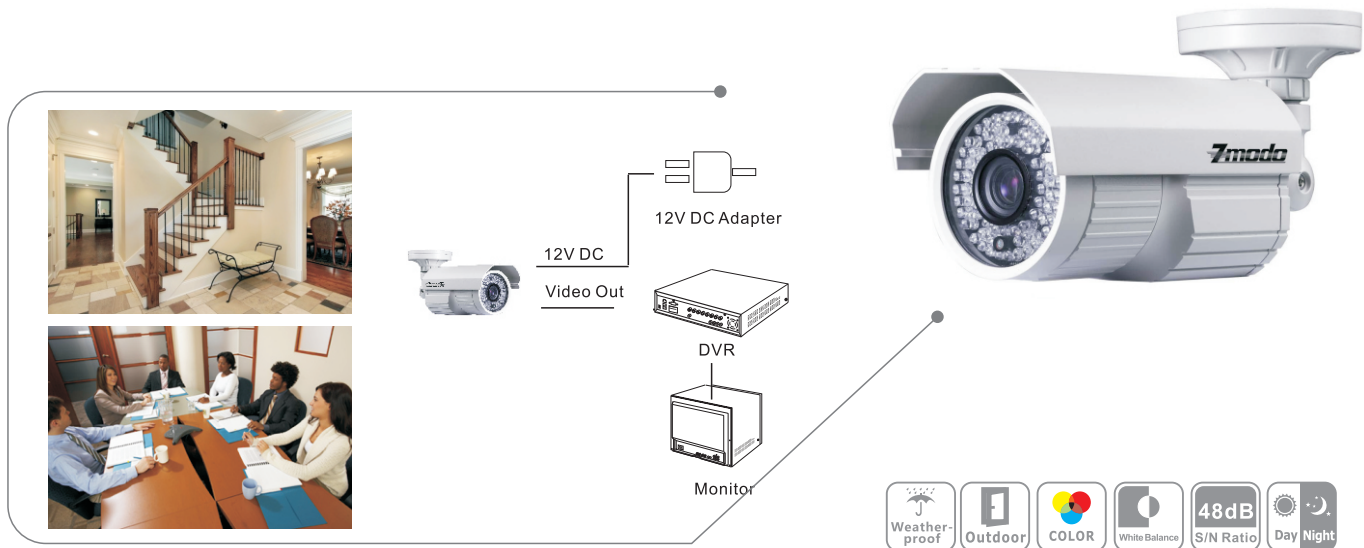
Features And Technical Specifications >>>

Model	Sensor		TV Line				Lens				Signal		IR			Audio									
	Bf3003	Ov7959	Pc1089	Other CCD	SONY CCD	1/4" 420TVL	1/3" 420TVL	480TVL	650TVL	2.8mm	3.6mm	6mm	12mm	25mm	4-9mm	4-48mm	NTSC	PAL	10~15cm	20~25cm	30~35cm	40~45cm	60~65cm	Yes	No
ZMD-CDO-BDM26NM				•			•				•						•			•					•
ZMD-CDH-BDM26NM					•			•			•						•			•					•
Power Consumption											▶ Max. 3.5W														
S / N Ratio											▶ ≥ 48dB														
Operating Temperature											▶ -10 °C to 50 °C														
Input Voltage											▶ 12V DC ± 10%														

ZMD-CDO-BEM26NM

SKU: ZMD-CDO-BEM26NM / ZMD-CDR-BEM26NM / ZMD-CDH-BEM26NM

Achieve greater protection for your property with this uniquely designed camera. The CCD image sensor with various TV line options provides maximum control over the product. Infrared capabilities and various focal length options help to provide the best solution for any application.



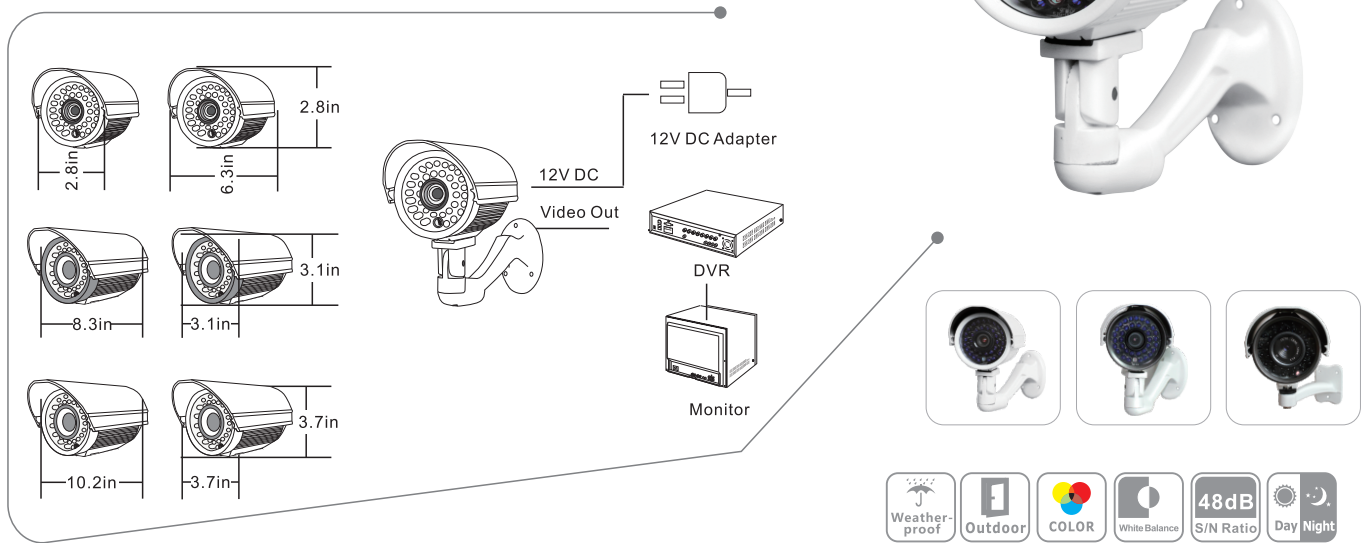
Features And Technical Specifications >>>

Model	Sensor		TV Line				Lens				Signal		IR			Audio									
	Bf3003	Ov7959	Pc1089	Other CCD	SONY CCD	420TVL	420TVL	480TVL	650TVL	2.8mm	3.6mm	6mm	12mm	25mm	4-9mm	4-48mm	NTSC	PAL	10~15cm	20~25cm	30~35cm	40~45cm	60~65cm	Yes	No
ZMD-CDO-BEM26NM				•		•					•						•		•						•
ZMD-CDR-BEM26NM					•	•					•						•		•						•
ZMD-CDH-BEM26NM					•			•			•						•		•						•
Power Consumption										Max. 3.5W															
S / N Ratio										≥ 48dB															
Operating Temperature										-10 °C to 50 °C															
Input Voltage										12V DC ± 10%															

ZMD-CDR-BFS26NM

SKU: ZMD-CDR-BFS26NM / ZMD-CDH-BFS26NM / ZMD-CDH-BFM36NM / ZMD-CDH-BFM39NM / ZMD-CDH-BFL49NM

With a unique appearance and patented bracket design, this camera also comes with various lens sizes to fit various applications. Several TV line options available in conjunction with CCD image sensors and IR infrared night vision to provide the optimal picture.



Features And Technical Specifications >>>

Model	Spec	Sensor					TV Line				Lens				Signal		IR			Audio																															
		Bf3003	Ov7959	Pc1089	Other CCD	SONY CCD	1/4" 420TVL	1/3" 420TVL	480TVL	650TVL	2.8mm	3.6mm	6mm	12mm	25mm	4-9mm	4-48mm	NTSC	PAL	10~15cm	20~25cm	30~35cm	40~45cm	60~65cm	Yes	No																									
ZMD-CDR-BFS26NM	Small					•		•				•					•			•					•																										
ZMD-CDH-BFS26NM						•				•		•					•			•					•																										
ZMD-CDH-BFM36NM	Medium					•				•		•					•			•					•																										
ZMD-CDH-BFM39NM						•				•					•		•			•					•																										
ZMD-CDH-BFL49NM	Large					•				•					•		•			•			•		•																										
Power Consumption											▶ Max. 3.5W															S / N Ratio											▶ ≥ 48dB														
Operating Temperature											▶ -10 °C to 50 °C															Input Voltage											▶ 12V DC ± 10%														

ZMD-CDR-BGM36NM

SKU: ZMD-CDR-BGM36NM / ZMD-CDR-BGM39NM / ZMD-CDH-BGM36NM / ZMD-CDH-BGM39NM / ZMD/CDR-BGL46NM / ZMD-CDR-BGL49NM / ZMD-CDH-BGL46NM / ZMD-CDH-BGL49NM

With a unique appearance and patented bracket design, this camera also comes with various lens sizes to fit various applications. Several TV line options available in conjunction with CCD image sensors and IR infrared night vision to provide the optimal picture.

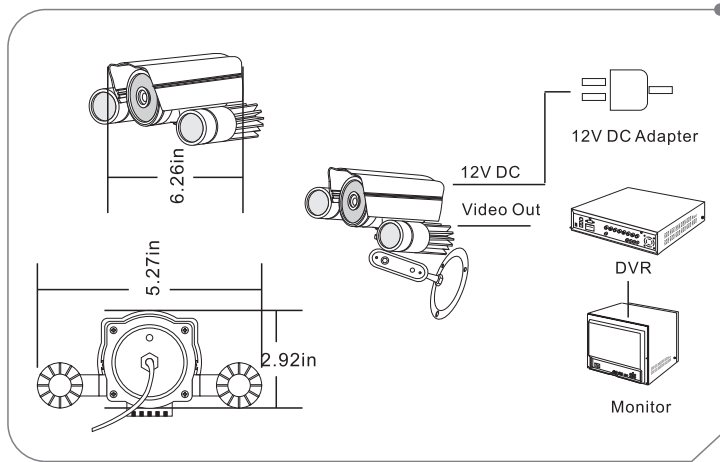


Features And Technical Specifications >>>

Model	Spec	Sensor					TV Line				Lens				Signal		IR					Audio			
		Bf3003	Ov7959	Pc1089	Other CCD	SONY CCD	420TVL	420TVL	480TVL	650TVL	2.8mm	3.6mm	6mm	12mm	25mm	4-9mm	4-48mm	NTSC	PAL	10~15cm	20~25cm	30~35cm	40~45cm	60~65cm	Yes
ZMD-CDR-BGM36NM	Medium					•	•				•						•								•
ZMD-CDR-BGM39NM						•	•								•		•								•
ZMD-CDH-BGM36NM						•			•			•					•								•
ZMD-CDH-BGM39NM						•			•							•		•							•
ZMD/CDR-BGL46NM	Large					•	•				•						•						•		•
ZMD-CDR-BGL49NM						•	•								•		•						•		•
ZMD-CDH-BGL46NM						•			•			•					•							•	•
ZMD-CDH-BGL49NM						•			•							•		•						•	•
Power Consumption											S / N Ratio														
▶ Max. 3.5W											▶ ≥48dB														
Operating Temperature											Input Voltage														
▶ -10 °C to 50 °C											▶ 12V DC ± 10%														

ZMD-CDH-BHL41NM

Specifically designed for high definition display, this long distance night vision camera is tailored towards installations with specific needs. The CCD image sensor is available with multiple TV line options to provide optimal picture clarity. With excellent brightness, a large viewing angle, long distance capture ability and IR LED lights, this camera produces unprecedented high quality results. Night vision viewing is clearer than with traditional IR lamps. This product is the best choice for nighttime viewing.



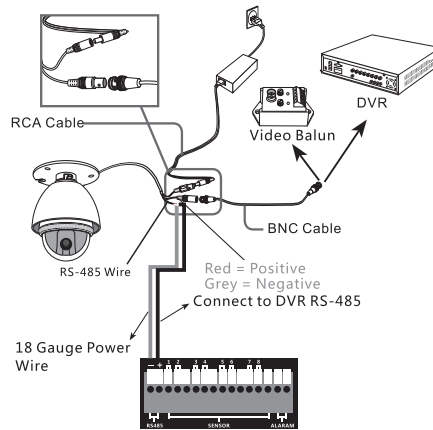
Features And Technical Specifications >>>

Spec	Sensor		TV Line				Lens					Signal		IR					Audio							
	Model	Bf3003	Ov7959	Pc1089	Other CCD	SONY CCD	420TVL	420TVL	480TVL	650TVL	2.8mm	3.6mm	6mm	12mm	25mm	4-9mm	4-48mm	NTSC	PAL	10~15cm	20~25cm	30~35cm	40~45cm	60~65cm	Yes	No
ZMD-CDH-BHL41NM				•			•					•					•				•					•
Power Consumption	▶ Max. 3.5W										S / N Ratio ▶ ≥ 48dB															
Operating Temperature	▶ -10 °C to 50 °C										Input Voltage ▶ 12V DC ± 10%															

ZMD-ZDM-ZAS0TNM

A durable aluminum alloy case houses this camera, capable of 360° horizontal pan and 180° vertical tilt rotations. Accepts preset stop points and preset cruise functions. Sony Super HAD CCD image sensor with 420TVL works with the low-light sensor to provide quality images both during the day and in ultra-low-light conditions. Built-in OSD menu interface with power and memory restore functions for easy use.

- 1/4" Sony Super HAD Image Sensor
- Weatherproof: Indoor or Outdoor
- 480 TV Line, Horizontal
- Signal System: NTSC
- Lens: 3.8-38mm
- Shutter Speed: X128~1/120000 sec
- 10X Optical Zoom and 10X Digital Zoom
- Pan Rotation: 0°~360° (Endless)
- Tilt Rotation: 0°~90°
- Pan/Tilt Speed: Pan: 0.5~350°/sec ,
Tilt: 0 ~90°/Sec
- 127 Presets
- Communication: Rs485



Features And Technical Specifications >>>

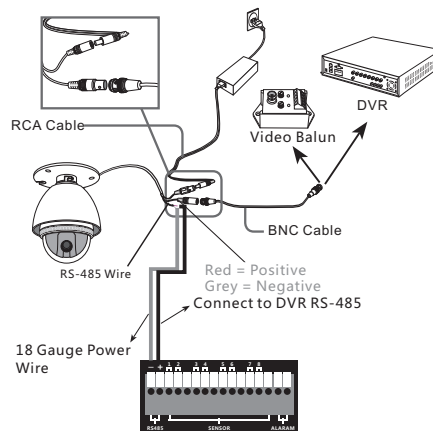
Model	Sensor		TV Line				Lens				Signal		IR					Audio								
	Bf3003	Ov7959	Pct089	SONY CCD	SONY HAD CCD	1/4" 420TVL	1/4" 480TVL	1/4" 540TVL	1/4" 650TVL	8mm	3.8-38mm	4-88mm	3.4-122mm	NTSC	PAL	Non IR	10~15cm	20~25cm	30~35cm	40~45cm	60~65cm	Yes	No			
ZMD-ZDM-ZAS0TNM				•		•				•			•		•								•			
Power Consumption										▶ Max. 3.5W													S / N Ratio		▶ ≥ 48dB	
Operating Temperature										▶ -10 °C to 50 °C													Input Voltage		▶ 12V DC ± 10%	

ZMD-ZDH-ZBMOSNM

Professional grade high-speed intelligent speed dome camera featuring a Sony Super HAD CCD image sensor displaying 540TVL, and low-light sensor with illumination to .001 Lux. Provides 360° horizontal and 180° vertical rotation with speeds of 0.5 ~ 350°/sec pan and 0 ~ 90°/sec tilt. The camera is fabricated with 36x optical zoom and 12x digital zoom functions for a total of 400x magnification. Built-in OSD menu interface with power and memory restore functions for easy use. Accepts preset stop points and preset cruise functions. With an IP66 waterproof rating and vandal-proof level construction, surveillance will remain unaffected in any situation.



- 1/4" Sony Super HAD Image Sensor
- Weatherproof: Indoor or Outdoor
- 540 TV Line, Horizontal
- Signal System: NTSC
- Lens: 3.4-122mm
- Shutter Speed: X128~1/120000 sec
- 10X Optical Zoom and 10X Digital Zoom
- Pan Rotation: 0°~360° (Endless)
- Tilt Rotation: 0°~90°
- Pan/Tilt Speed: Pan: 0.5~350°/sec ,
Tilt: 0 ~90°/Sec
- 127 Presets
- Communication: Rs485
- Protocols: PELCO-D, PELCO-P



Features And Technical Specifications >>>

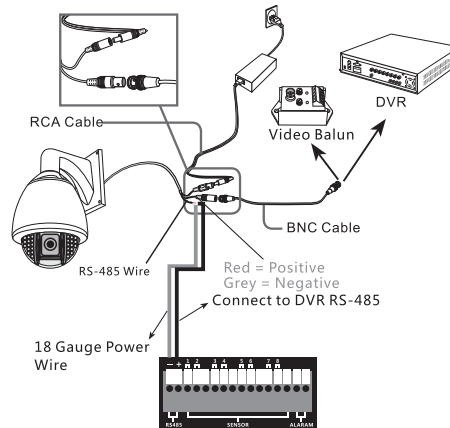
Model	Sensor		TV Line				Lens				Signal		IR					Audio																				
	Bf3003	Ov7959	Pct089	SONY CCD	SONY HAD CCD	1/4" 420TVL	1/4" 480TVL	1/4" 540TVL	1/4" 650TVL	8mm	3.8-38mm	4-88mm	3.4-122mm	NTSC	PAL	Non IR	10~15cm	20~25cm	30~35cm	40~45cm	60~65cm	Yes	No															
ZMD-ZDH-ZBMOSNM				•			•					•	•		•								•															
Power Consumption											▶ Max. 3.5W													S / N Ratio		▶ ≥ 48dB												
Operating Temperature											▶ -10 °C to 50 °C													Input Voltage		▶ 12V DC ± 10%												

ZMD-ZDR-ZCM4FNM

Ultra durable aluminum alloy case supports 360° horizontal pan and 180° vertical tilt capabilities, providing unrestricted rotation and surveillance. Capable of accepting preset stop points and loop cruise functions. Premium Sony Super HAD CCD image sensor, optional 22x or 36x optical zoom lens with 10x or 12x digital zoom functions provide superb viewing capabilities in any situation. With an IP66 waterproof rating and vandal-proof construction, surveillance will remain unaffected in any situation. Supports IR infrared night vision for visibility in no-light situations.



- 1/4" Sony Super HAD Color CCD Image Sensor
- Weatherproof: Indoor or Outdoor
- 420 TV Lines of Horizontal Resolution
- Signal System: NTSC
- 4-88mm Vari-focal Zoom Lens
- IR Night Vision Distance: 40~45m
- Night Vision Min. Light: 0 Lux (16 LEDs)
- 22X Optical Zoom and 10X Digital Zoom
- Pan Rotation: 0°~360° (Endless)
- Tilt Rotation: Auto Flip 180°
- Pan/Tilt Speed: Pan: 0.5~350°/sec ,
Tilt: 0 ~90°/Sec
- 128 Presets
- Communication: RS-485



Features And Technical Specifications >>>

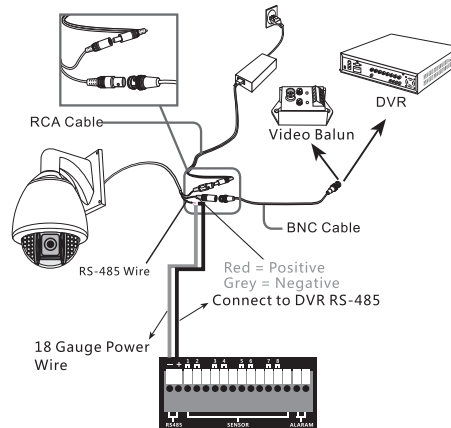
Model	Sensor		TV Line				Lens				Signal		IR						Audio																												
	Bf3003	Ov7959	Pct089	SONY CCD	SONY HAD CCD	1/4" 420TVL	1/4" 480TVL	1/4" 540TVL	1/4" 650TVL	8mm	3.8-38mm	4-88mm	3.4-122mm	NTSC	PAL	Non IR	10~15cm	20~25cm	30~35cm	40~45cm	60~65cm	Yes	No																								
ZMD-ZDR-ZCM4FNM				•	•						•		•							•			•																								
Power Consumption											▶ Max. 3.5W													S / N Ratio											▶ ≥ 48dB												
Operating Temperature											▶ -10 °C to 50 °C													Input Voltage											▶ 12V DC ± 10%												

ZMD-ZDH-ZCM4SNM

Ultra durable aluminum alloy case supports 360° horizontal pan and 180° vertical tilt capabilities, providing unrestricted rotation and surveillance. Capable of accepting preset stop points and loop cruise functions. Premium Sony Super HAD CCD image sensor, optional 22x or 36x optical zoom lens with 10x or 12x digital zoom functions provide superb viewing capabilities in any situation. With an IP66 waterproof rating and vandal-proof construction, surveillance will remain unaffected in any situation. Supports IR infrared night vision for visibility in no-light situations.



- 1/4" Sony Super HAD Color CCD Image Sensor
- Weatherproof: Indoor or Outdoor
- 540 TV Lines of Horizontal Resolution
- Signal System: NTSC
- 3.4-122 mm Vari-focal Zoom Lens
- IR Night Vision Distance: 40~45m
- Night Vision Min. Light: 0 Lux (16 LEDs)
- 22X Optical Zoom and 10X Digital Zoom
- Pan Rotation: 0°~360° (Endless)
- Tilt Rotation: Auto Flip 180°
- Pan/Tilt Speed: Pan: 0.5~350°/sec ,
Tilt: 0 ~90°/Sec
- 128 Presets
- Communication: RS-485



Features And Technical Specifications >>>

Model	Sensor		TV Line				Lens				Signal		IR					Audio									
	Bf3003	Ov7959	Pct089	SONY CCD	SONY HAD CCD	1/4" 420TVL	1/4" 480TVL	1/4" 540TVL	1/4" 650TVL	8mm	3.8-38mm	4-88mm	3.4-122mm	NTSC	PAL	Non IR	10~15cm	20~25cm	30~35cm	40~45cm	60~65cm	Yes	No				
ZMD-ZDH-ZCM4SNM				•			•					•	•							•			•				
Power Consumption											▶ Max. 3.5W													S / N Ratio		▶ ≥ 48dB	
Operating Temperature											▶ -10 °C to 50 °C													Input Voltage		▶ 12V DC ± 10%	

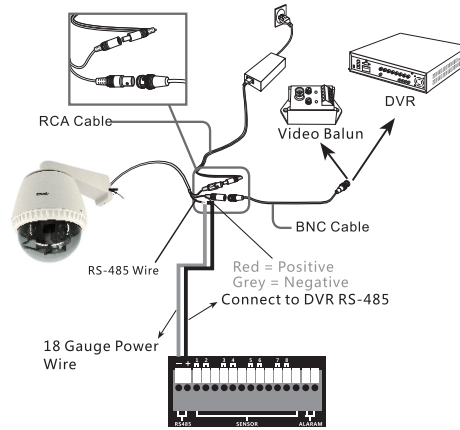
ZMD-ZDM-ZDM4FNM

Ultra durable aluminum alloy case supports 360° horizontal pan and 180° vertical tilt capabilities, providing unrestricted rotation and surveillance. Capable of accepting preset stop points and loop cruise functions. Premium Sony Super HAD CCD image sensor, 22x optical zoom lens with 10x digital zoom functions provide superb viewing capabilities in any situation. With an IP66 waterproof rating and vandal resistant construction, surveillance will remain unaffected in any situation. Supports IR infrared night vision for visibility in no-light situations.



CAMERA

- 1/4" Sony Super HAD Color CCD Image Sensor
- Weatherproof: Indoor or Outdoor
- 480 TV Lines of Horizontal Resolution
- Signal System: NTSC
- 4-88mm Vari-focal Zoom Lens
- IR Night Vision Distance: 40~45m
- Night Vision Min. Light: 0 Lux (16 LEDs)
- 22X Optical Zoom and 10X Digital Zoom
- Pan Rotation: 0°~360° (Endless)
- Tilt Rotation: Auto Flip 180°
- Pan/Tilt Speed: Pan: 0.5~350°/sec ,
Tilt: 0 ~90°/Sec
- 128 Presets
- Communication: RS-485



Features And Technical Specifications >>>

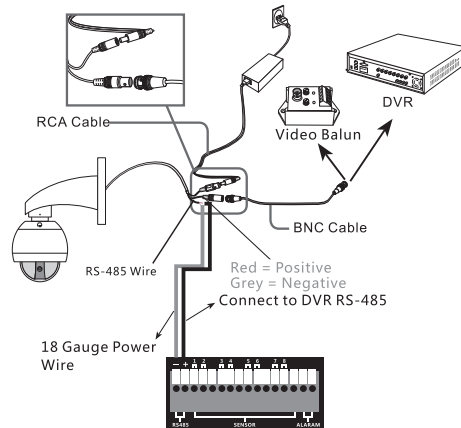
Model	Sensor		TV Line				Lens		Signal		IR			Audio									
	Bf3003	Ov7959	Pct1089	SONY CCD	SONY HAD CCD	1/4"	1/3"	1/4"	1/4"	8mm	3.8-38mm	4-88mm	3.4-122mm	NTSC	PAL	Non IR	10~15cm	20~25cm	30~35cm	40~45cm	60~65cm	Yes	No
ZMD-ZDM-ZDM4FNM				•		•					•									•			•
Power Consumption										Max. 3.5W													
S / N Ratio										≥ 48dB													
Operating Temperature										-10 °C to 50 °C													
Input Voltage										12V DC ± 10%													

ZMD-TDR-ZFS08NM

Indoor mini speed dome camera with 360° horizontal pan and 90° vertical tilt capabilities. Programmable stop points and preset cruise functions. High quality CCD image sensor with 420TVL and on-board fixed lens deliver excellent video quality. Suitable for any indoor situations.



- 1/3" Sony Color CCD Image Sensor
- Weatherproof: Indoor or Outdoor
- 420 TV Line, Horizontal
- Signal System: NTSC
- Lens: 8mm
- Pan Rotation: 0°~360° (Endless)
- Tilt Rotation: 0°~90°
- Pan/Tilt Speed: 80°/sec (Max.)
- Baud Rate: 1200~9600 bps
- 32 Presets
- Communication: RS-485
- Protocols: PELCO-D, PELCO-P
- Video Connection: BNC



Features And Technical Specifications >>>

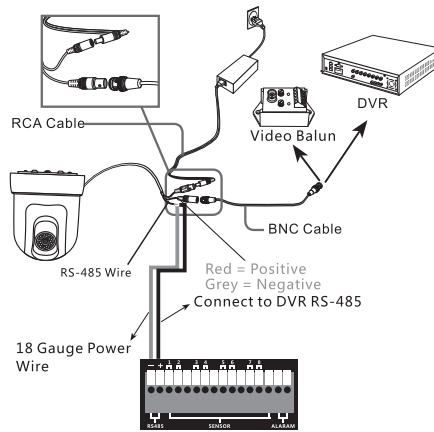
Model	Sensor		TV Line				Lens				Signal		IR					Audio																													
	Bf3003	Ov7959	Pct089	SONY CCD	SONY HAD CCD	1/3" 420TVL	1/3" 480TVL	1/3" 540TVL	1/3" 650TVL	8mm	3.8~38mm	4~88mm	3.4~122mm	NTSC	PAL	Non IR	10~15cm	20~25cm	30~35cm	40~45cm	60~65cm	Yes	No																								
ZMD-TDR-ZFS08NM				•		•				•					•								•																								
Power Consumption										▶ Max. 3.5W														S / N Ratio										▶ ≥ 48dB													
Operating Temperature										▶ -10 °C to 50 °C														Input Voltage										▶ 12V DC ± 10%													

ZMD-TDH-ZGS18NM

Mini indoor speed dome infrared night vision camera which supports 360° horizontal and 90° vertical rotations. Supports stop point functions and preset automatic cruise rotations. Utilizing a high quality CCD 420TVL image sensor, on-board fixed lens, and IR infrared night vision, the camera is able to function under zero light conditions.



- 1/4" SONY Color CCD Image Sensor
- 420 TV Line, Horizontal
- Signal System: NTSC
- Lens: 8mm
- IR Distance: 10~15m
- Pan Rotation: 0°~360° (Endless)
- Tilt Rotation: 0°~90°
- Pan/Tilt Speed: 80°/sec (Max.)
- Baud Rate: 1200~9600 bps
- 32 Presets
- Communication: RS-485
- Protocols: PELCO-D, PELCO-P
- Video Connection: BNC



Features And Technical Specifications >>>

Model	Sensor		TV Line				Lens				Signal		IR					Audio																					
	Bf3003	Ov7959	Pct089	SONY CCD	SONY HAD CCD	1/4" 420TVL	1/4" 480TVL	1/4" 540TVL	1/4" 650TVL	8mm	3.8-38mm	4-88mm	3.4-122mm	NTSC	PAL	Non IR	10~15cm	20~25cm	30~35cm	40~45cm	60~65cm	Yes	No																
ZMD-TDH-ZGS18NM				•		•				•							•						•																
Power Consumption										▶ Max. 3.5W														S / N Ratio		▶ ≥ 48dB													
Operating Temperature										▶ -10 °C to 50 °C														Input Voltage		▶ 12V DC ± 10%													



ZMODO TECHNOLOGY CORP. LTD.

Corporate Headquarters

Building NO.5 ShaEr Bluesky Technology Park Shajing, Baoan District Shenzhen, P.R.China
Tel:011-86-755-33926029 Fax:011-86-755-33925683 Web: www.ZMODO.com

US Office

17870 Castleton Street SUITE 200 City of Industry, CA 91748
Tel:866-551-6881 Fax:626-810-0186

General Inquiries & Sales

Sales: sales@zmodo.com
overseas@zmodo.net

Due to the constant upgrade, ZMODO does not promise the complete consistency between the actual products and this data. The specifications of actual products will be the authority. Meanwhile, ZMODO will not undertake any dispute caused by the difference between actual technical parameters and promotional materials. No notice for any revise will be released in advance.